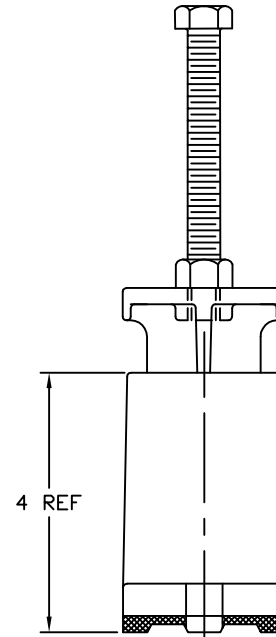
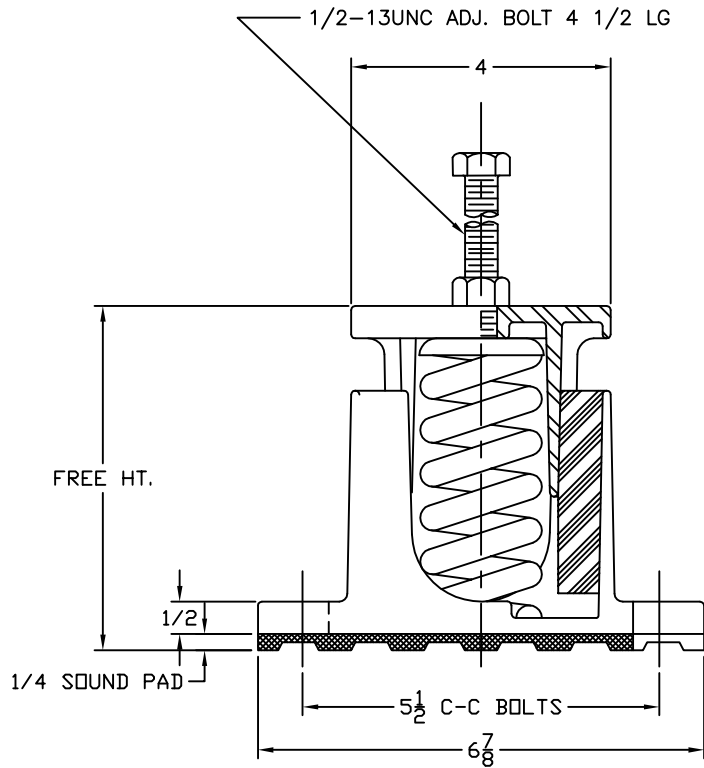
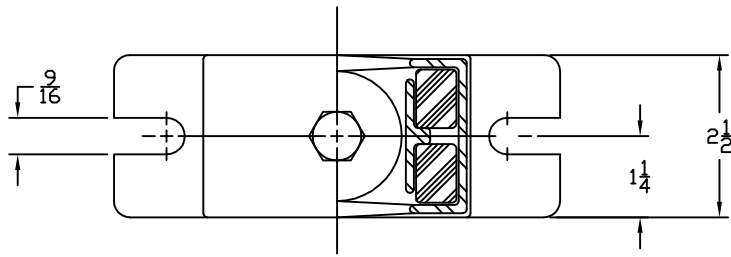


REV.	DESCRIPTION	DATE	BY



MINIMUM OPERATING HEIGHT: 4 7/8"

PART NUMBER	ISOLATOR MODEL	MAX. STEADY (LBS)	MAX. IMPACT (LBS)	ISOLATOR CONSTANT (LBS)	MIN. FREE HEIGHT	COLOR CODE
602981-50	LNA-50	50	△	25	5 1/2	YELLOW
602981-51	LNA-51	125	△	62.5		ORANGE
602981-52	LNA-52	200	△	120		BROWN
602981-53	LNA-53	300	△	190		BLACK
602981-54	LNA-54	500	△	345		GREEN
602981-55	LNA-55	700	△	560		BLUE
602981-56	LNA-56	1200	△	1650	4 7/8	PURPLE
602981-45	LNA-45	325	260	440		BROWN
602981-46	LNA-46	450	360	800		RED
602981-47	LNA-47	600	480	1225		PURPLE
602981-57	LNA-57	1100	825	2929		BLUE
602981-68	LNA-68	1300	1225	2650		GREEN

NOTES:

- ALL DIMENSIONS ARE IN INCHES, INTERPRET PER ANSI Y14
- STANDARD FINISH: CONTACT VMC FOR ADDITIONAL AVAILABILITY
 - A. STEEL WELDMENTS: STANDARD VMC COLOR
 - B. SPRING: POWDER COATED
 - C. HARDWARE: ELECTRO-ZINC PLATED
- △ CURRENTLY UNDER ENGINEERING REVIEW
- EST. UNIT WEIGHT: 55 LBS.
- RECOMMENDED MAXIMUM TORQUING OF ISOLATOR BASE TO 5FT-LBS. AFTER EQUIPMENT IS INSTALLED.
- USE OF BLOCKING IS REQUIRED ALONGSIDE EACH ISOLATOR, EQUAL TO ISOLATOR FREE HEIGHT SO AS TO TEMPORARILY TRANSFER THE EQUIPMENT LOAD ONTO BLOCKING UNTIL THE LOAD IS TRANSFERRED TO THE SPRING BY TURNING ADJUSTING BOLT CAUSING ISOLATOR TO LIFT EQUIPMENT ABOVE BLOCKING. REMOVE BLOCKING AFTER INSTALLATION IS COMPLETE.

OTHER MATERIALS, COMPOUNDS, OR FINISHES WITH EQUAL OR SUPERIOR PROPERTIES MAY BE SUBSTITUTED AS THEY BECOME AVAILABLE.

CERTIFIED FOR:

JOB NAME: _____
 CUSTOMER : _____
 CUSTOMER P.O.: _____
 SALES ORDER: _____

**MODEL LNA 50-1300 LBS.
 SPRING ISOLATOR**



THE VMC GROUP
The Power of Together
 Bloomingdale, NJ 07403
 Houston, TX 77041

SCALE :

NONE

SHEET:



DRAWING NO.:

REVISION